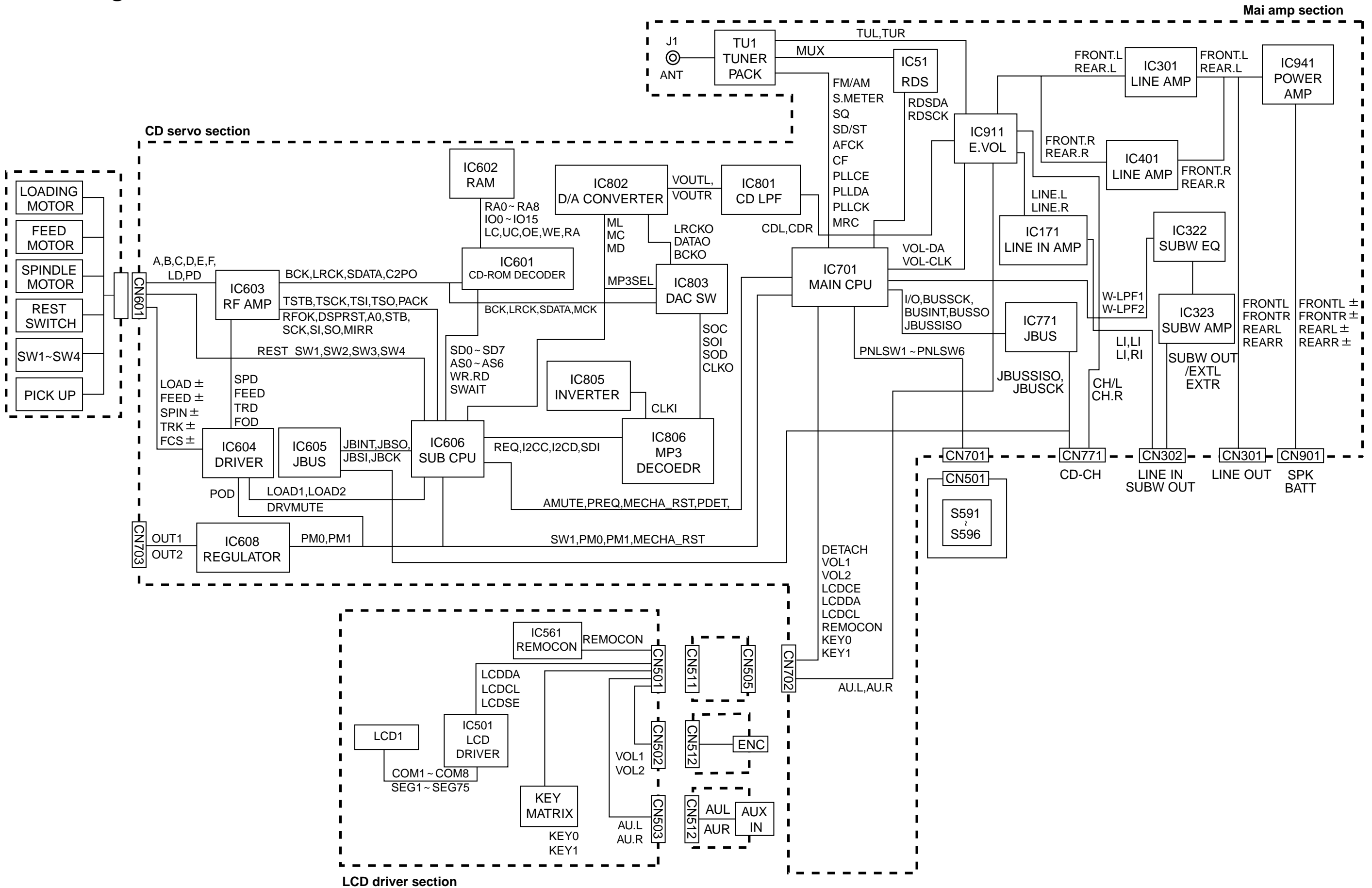


# Block diagram



# Standard schematic diagrams

## Main amp section

KD-SH99R

KD-SH99R

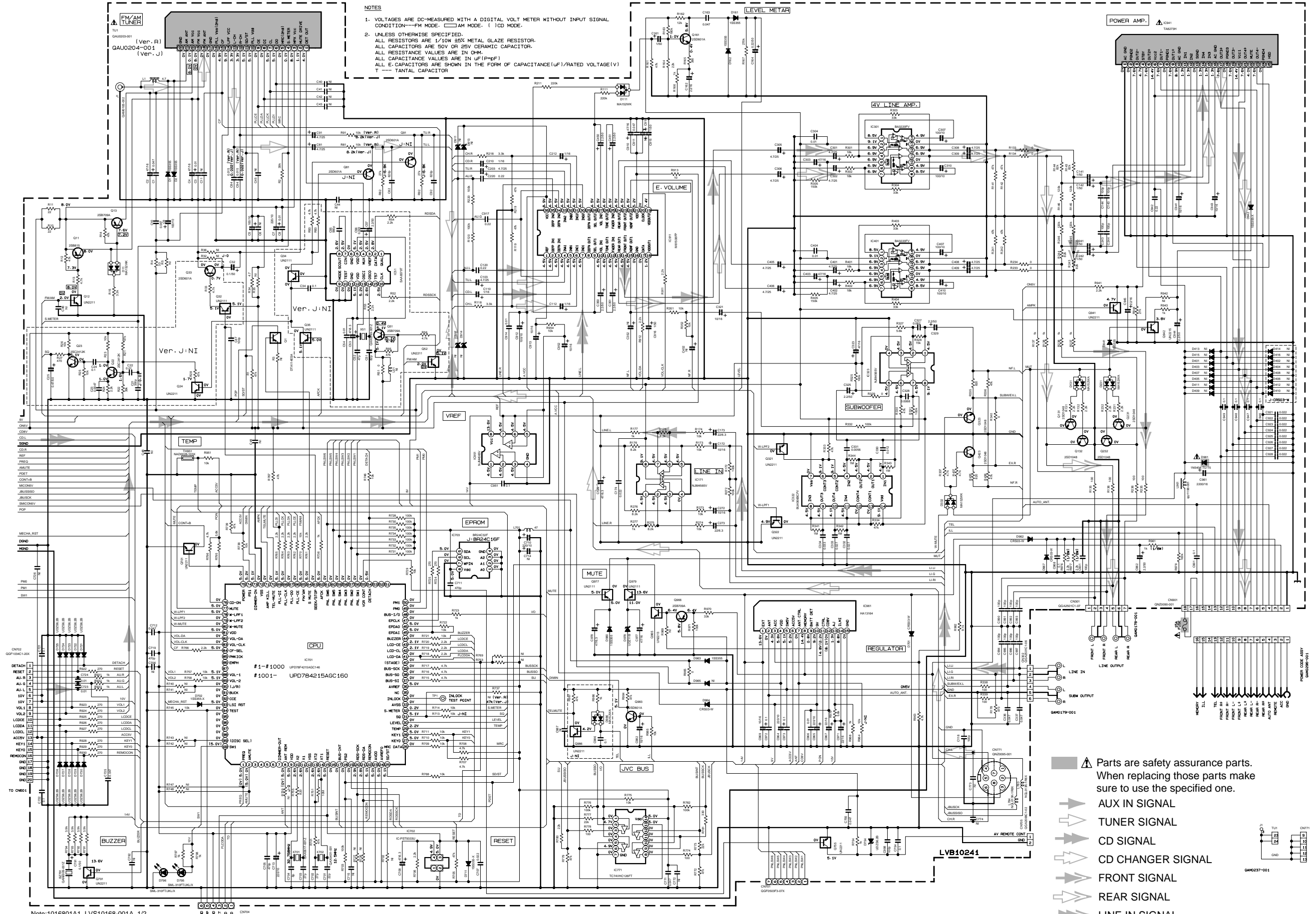
5

4

3

2

1



**NOTES**

- VOLTAGES ARE DC-MEASURED WITH A DIGITAL VOLT METER WITHOUT INPUT SIGNAL CONDITION—FM MODE. □ AM MODE. □ LCD MODE.
- UNLESS OTHERWISE SPECIFIED, ALL RESISTORS ARE 1/10W 5% METAL GLAZE RESISTOR. ALL CAPACITORS ARE 50V OR 25V CERAMIC CAPACITOR. ALL RESISTANCE VALUES ARE IN OHM. ALL CAPACITANCE VALUES ARE IN uF (P-PF) ALL E-CAPACITORS ARE SHOWN IN THE FORM OF CAPACITANCE(uF)/RATED VOLTAGE(V) T = TANTALUM CAPACITOR

- Parts are safety assurance parts. When replacing those parts make sure to use the specified one.
- AUX IN SIGNAL
- TUNER SIGNAL
- CD SIGNAL
- CD CHANGER SIGNAL
- FRONT SIGNAL
- REAR SIGNAL
- LINE IN SIGNAL

CD servo control section

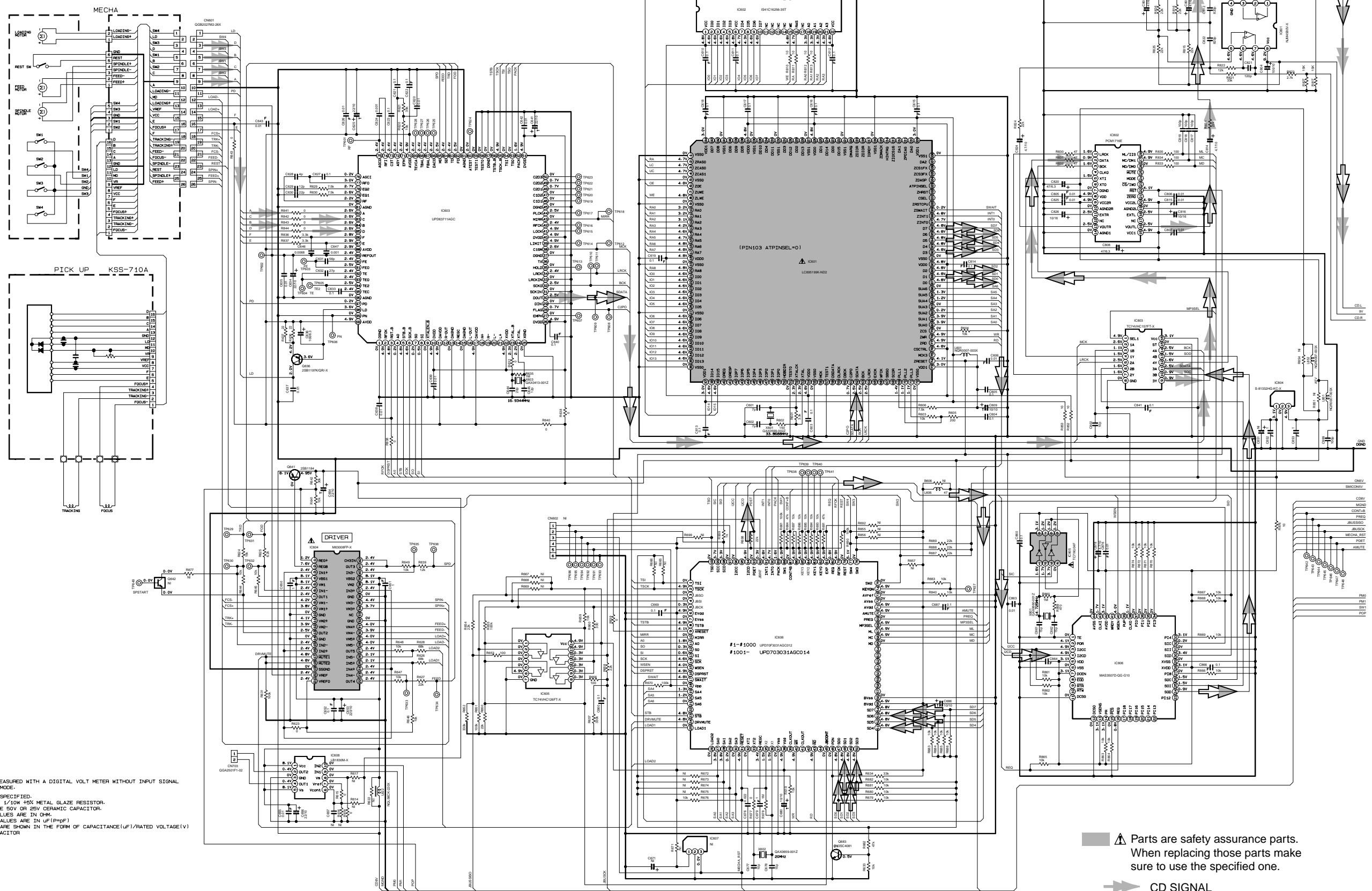
5

4

3

2

1

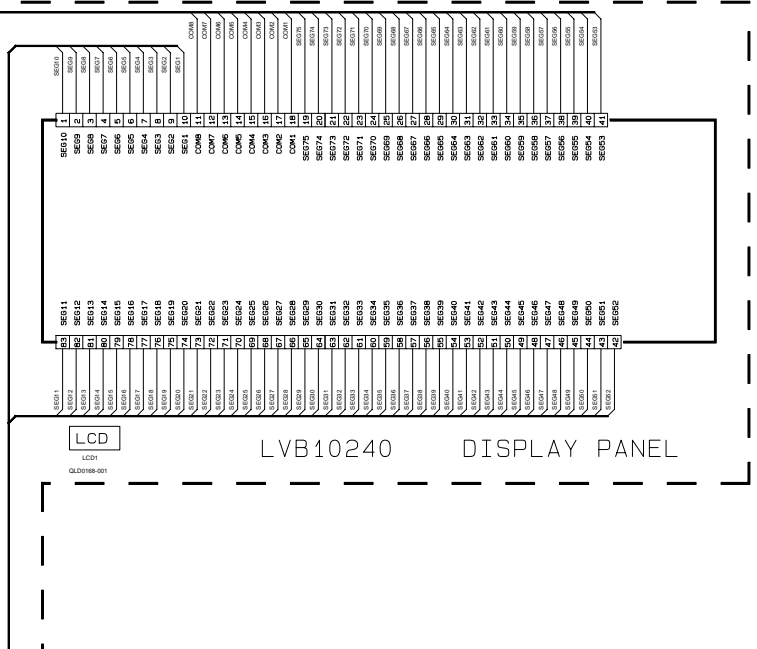
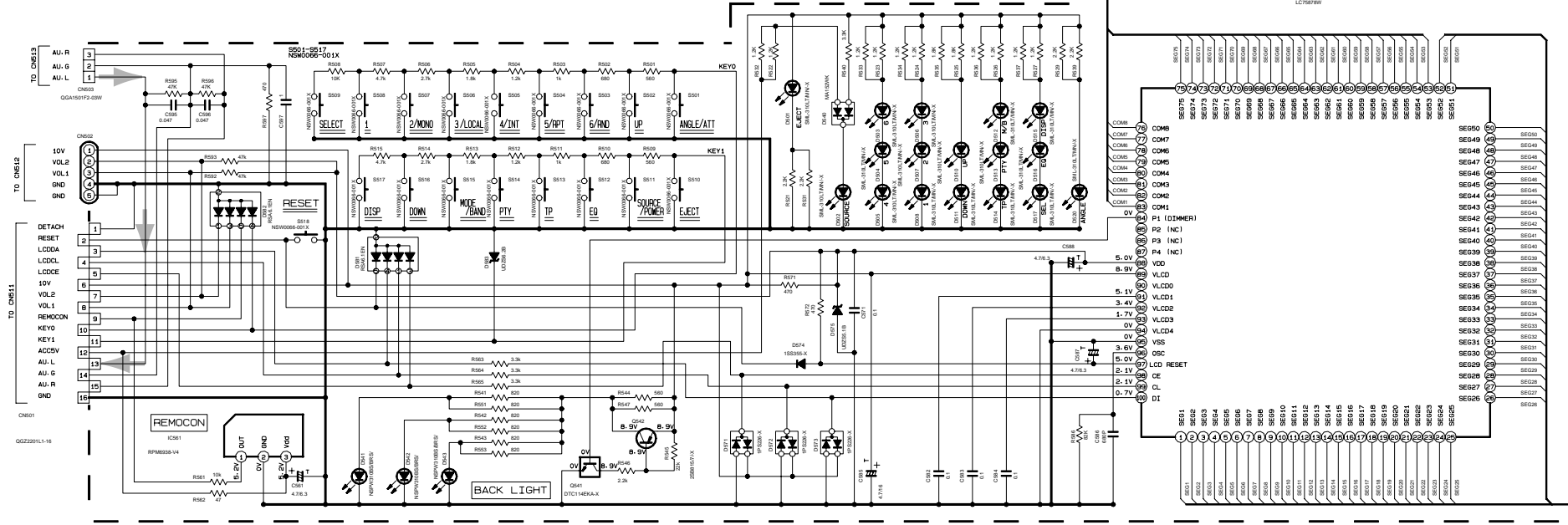
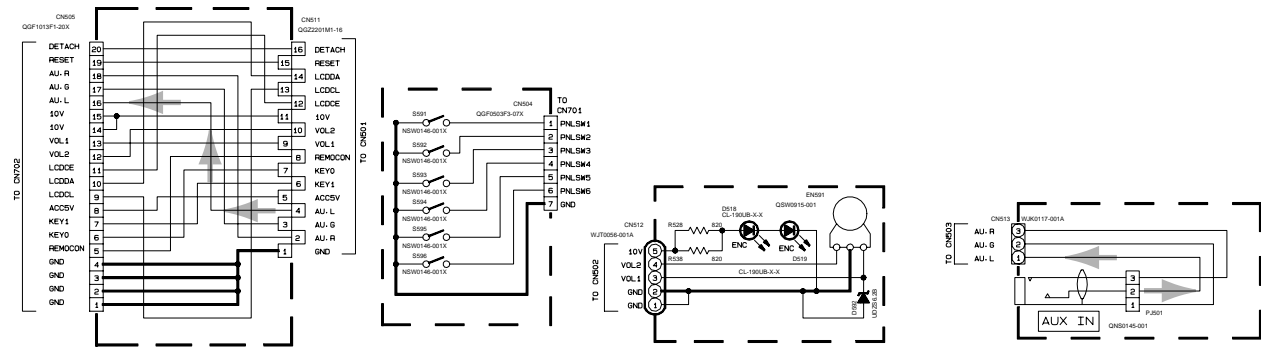


- NOTES
1. VOLTAGES ARE DC-MEASURED WITH A DIGITAL VOLT METER WITHOUT INPUT SIGNAL CONDITION --- CD MODE.
  2. UNLESS OTHERWISE SPECIFIED:  
 ALL RESISTORS ARE 1/16W 40% METAL GLAZE RESISTOR.  
 ALL CAPACITORS ARE 50V OR 25V CERAMIC CAPACITOR.  
 ALL RESISTANCE VALUES ARE IN OHM.  
 ALL CAPACITANCE VALUES ARE IN UF (PnpF).  
 ALL E-CAPACITORS ARE SHOWN IN THE FORM OF CAPACITANCE(UF)/RATED VOLTAGE(V)  
 T --- TANTALUM CAPACITOR

- ▲ Parts are safety assurance parts. When replacing those parts make sure to use the specified one.
- ➡ CD SIGNAL
- ➡ MP3 SIGNAL

LCD driver section

5  
4  
3  
2  
1



AUX IN SIGNAL

- NOTES
- VOLTAGES ARE DC-MEASURED WITH A DIGITAL VOLT METER WITHOUT INPUT SIGNAL CONDITION --- CD MODE.
  - UNLESS OTHERWISE SPECIFIED, ALL RESISTORS ARE 1/10W ±5% METAL GLAZE RESISTOR. ALL CAPACITORS ARE 50V OR 25V CERAMIC CAPACITOR. ALL RESISTANCE VALUES ARE IN Ω/M. ALL CAPACITANCE VALUES ARE IN μF(P=PF) ALL E-CAPACITORS ARE SHOWN IN THE FORM OF CAPACITANCE(μF)/RATED VOLTAGE(V) T --- TANTAL CAPACITOR

Tuner pack section

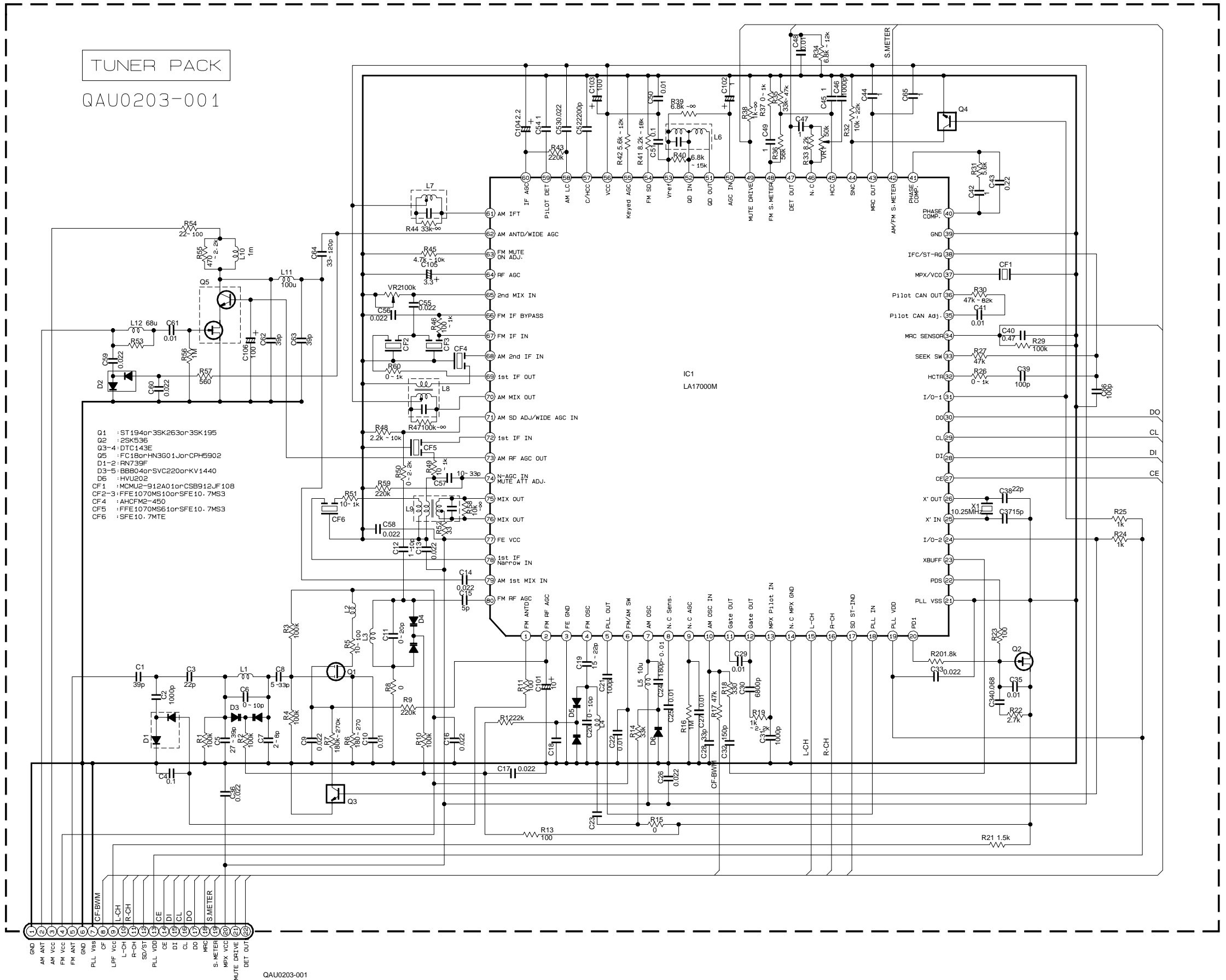
5

4

3

2

1



Note:1016803A1\_LVS10168-003A\_1/1

A

B

C

D

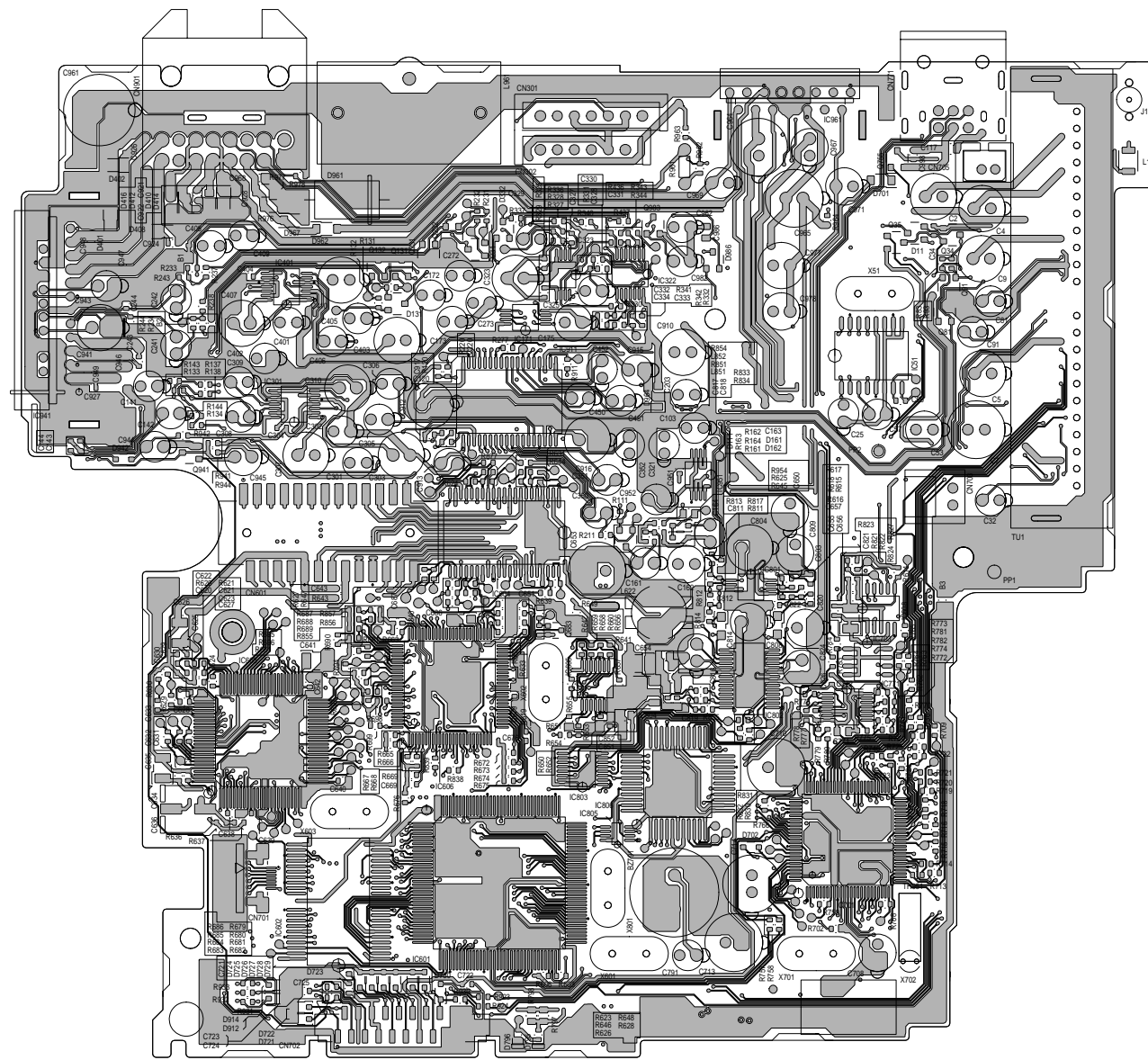
E

F

G

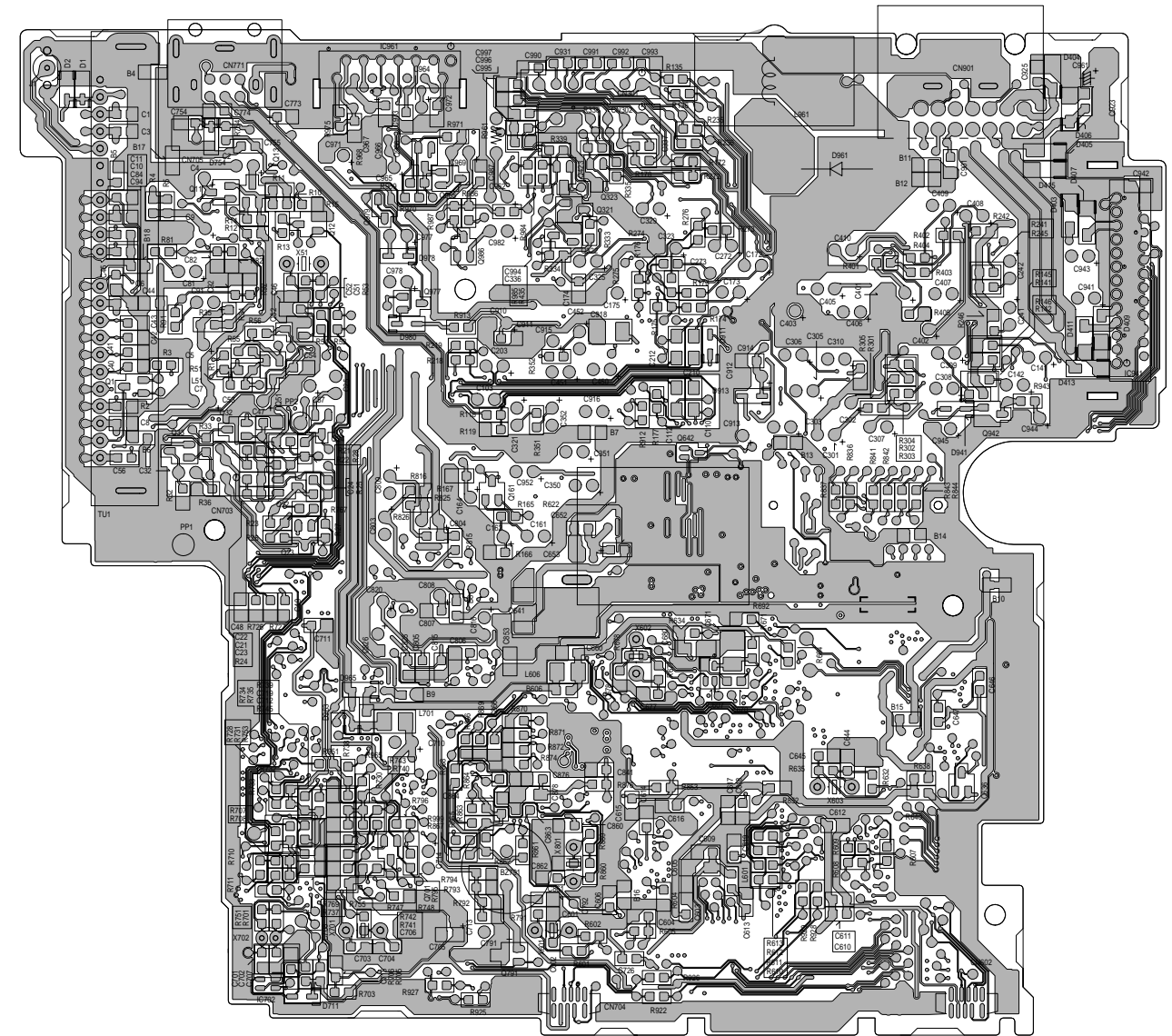
# Printed circuit boards

■ Main board  
(Forward side)



Note:/d4/n/lvb10241/001a/10241

■ Main board  
(Reverse side)



Note:/d4/m/lvb10241/001a/10241

5

4

3

2

1

A

B

C

2-6

D

E

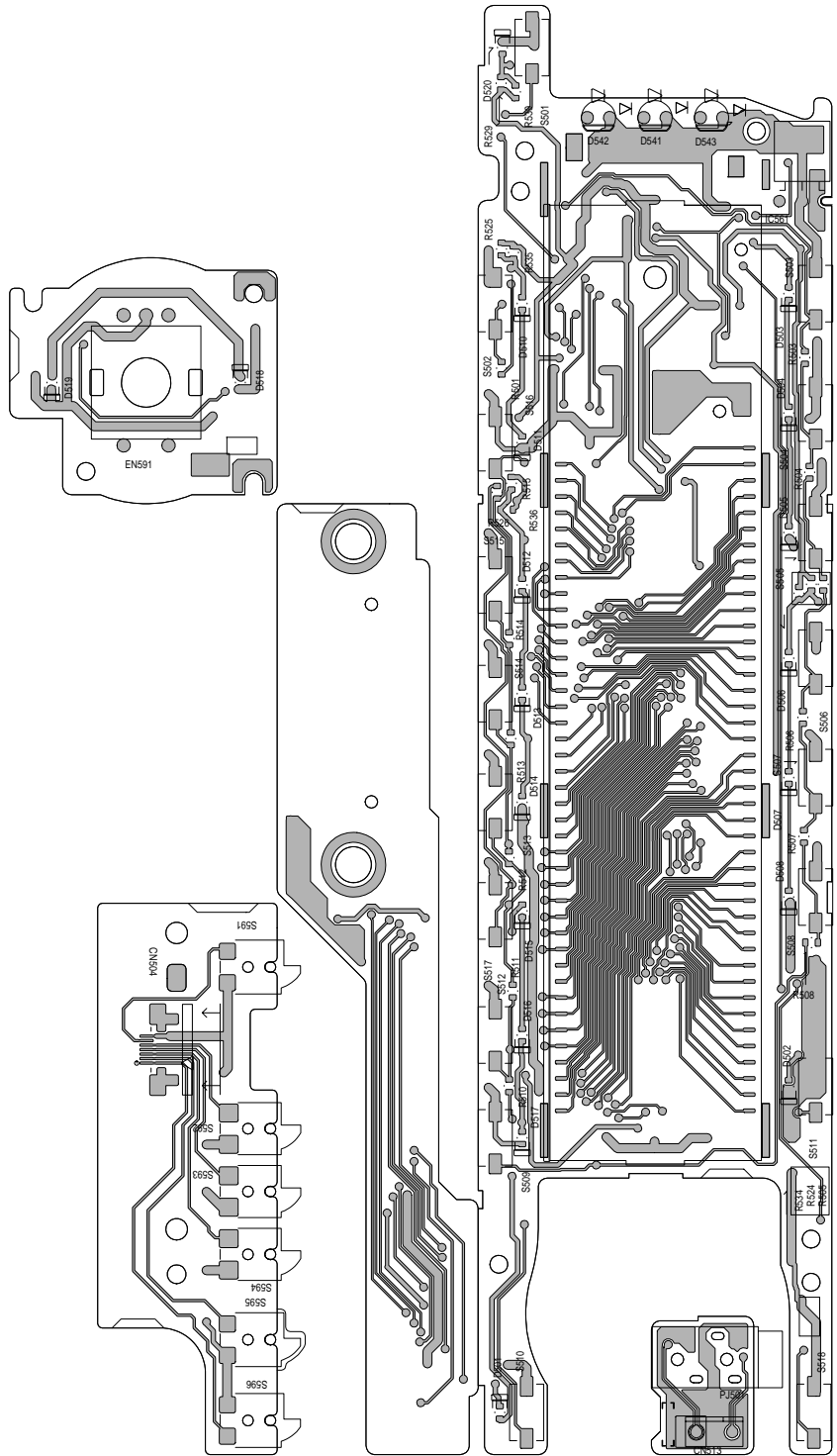
F

G

H

■ Front board  
(Forward side)

5  
4  
3  
2  
1



Note/d4/n/lvb10240/001d/10240

A

B

C

■ Front board  
(Reverse side)

